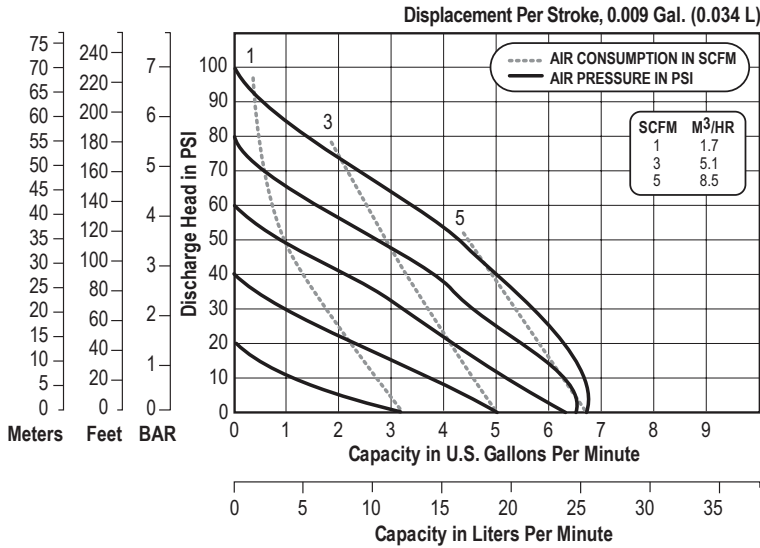


E8 DATA SHEET

SPECIFICATIONS & PERFORMANCE

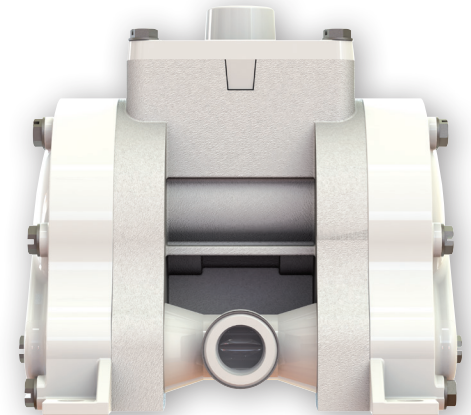
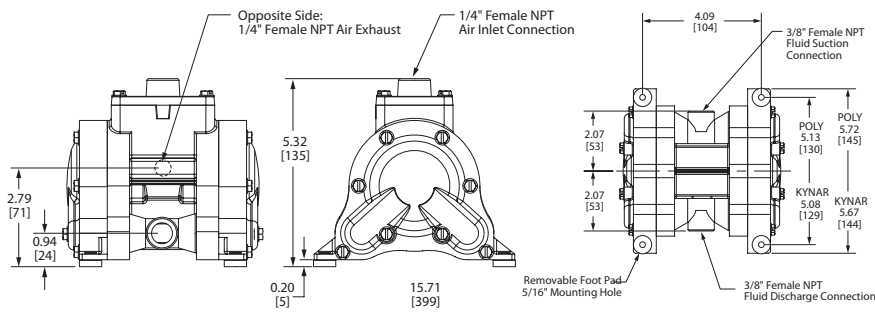
3/8" Bolted Plastic with Plastic Center Sections

PERFORMANCE



NOTE: Performance based on the following: elastomeric fitted pump, flooded suction, water at ambient conditions. The use of other materials and varying hydraulic conditions may result in deviations in excess of 5%.

DIMENSIONS



SPECIFICATIONS

Flow Rate

Adjustable to . . . 0-6.8 gpm (25.7 lpm)

Port Size

Suction 3/8" NPT (BSP)

Discharge 3/8" NPT (BSP)

Air Inlet 1/4" NPT

Air Exhaust 1/4" NPT

Suction Lift

Dry 8' (2.44 m)

Max Solid Size (Diameter)

. 0.10" (2.25 mm)

Max Noise Level 78 dB(A)

Shipping Weights

Polypropylene 3 lbs (1.40 kg)

Kynar 4.5 lbs. (2.04 kg)



Warren Rupp, Inc. | A Unit of IDEX Corporation
800 North Main Street | Mansfield, OH 44902 USA
Phone: 419.526.7296 | Fax: 419.526.7289

VERSAMATIC.COM

e8nmdlAds-rev0519

©Copyright 2019 Warren Rupp, Inc. All Rights Reserved.